

**Basic Instructions only!**  
 For more detailed product information, refer to the  
**SportCart Assembly Instructions 240B123.**

**⚠ CAUTION**

*Make sure anyone assembling, installing or using this product has read and understands these instructions.*

**⚠ CAUTION**

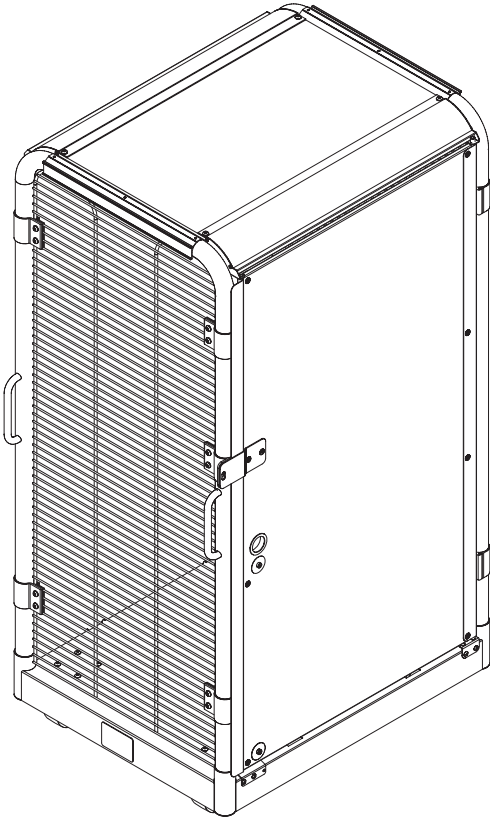
*Failure to comply with Warnings and Cautions in this document or on the equipment can result in damage to property or serious injury.*

**⚠ CAUTION**

*Never stand on a SportCart.*

### Contents

Required Tools .....	2
Supplied Hardware .....	2
Fasteners .....	2
Parts List .....	3
Fasteners .....	3
Swing Door and Side Closure .....	3
Swing Door Installation .....	4
Before Starting Swing Door Installation .....	4
Determine Left or Right Installation .....	4
Attach Door Brackets .....	5
Attach Knuckle Brackets .....	6
Attach Swing Door .....	7
Attach Swing Door Lock .....	8
Closure Panel Installation .....	9
Replacement Parts .....	10



**SportCart with Swing Door Accessory**



Visit the GearBoss SportCart web page at [gearboss.com](http://gearboss.com) for more information.

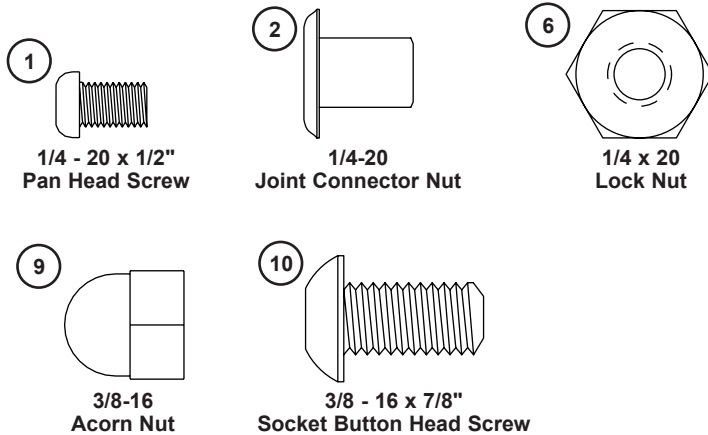
**Note:** Please read and understand these instructions before proceeding.  
**Note:** If you need additional information, contact Wenger Corporation using the information below.

## Required Tools

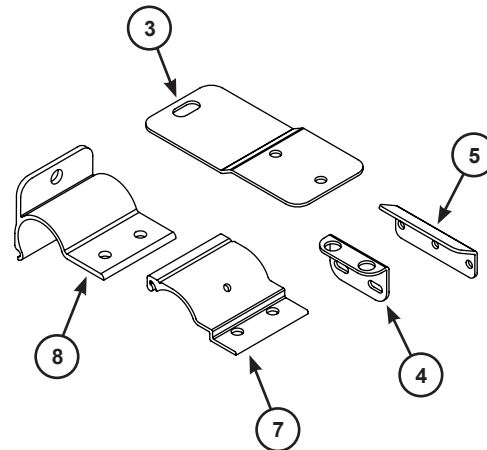
- Electric drill
- 9/16" Combination wrench
- 7/16" Combination wrench
- 6" Ruler
- Phillips drive bit
- Carpenter's square
- Mallet
- 7/32" Allen wrench

## Supplied Hardware

### Fasteners



Item	Qty	Description
1	6	1/4-20 x 1/2" Phillips Pan Head Screw**
2	2	Joint Connector Nut**
3	1	Door Lock Bracket
4	1	Lower Door Pivot Bracket
5	1	Door Latch Bracket
6	4	1/4-20 Lock Nut**
7	1	Half A Knuckle
8	1	Half B Knuckle
9	2	3/8-16 Acorn Nut**
10	2	3/8-16 x 7/8" Socket Button Head Screw**



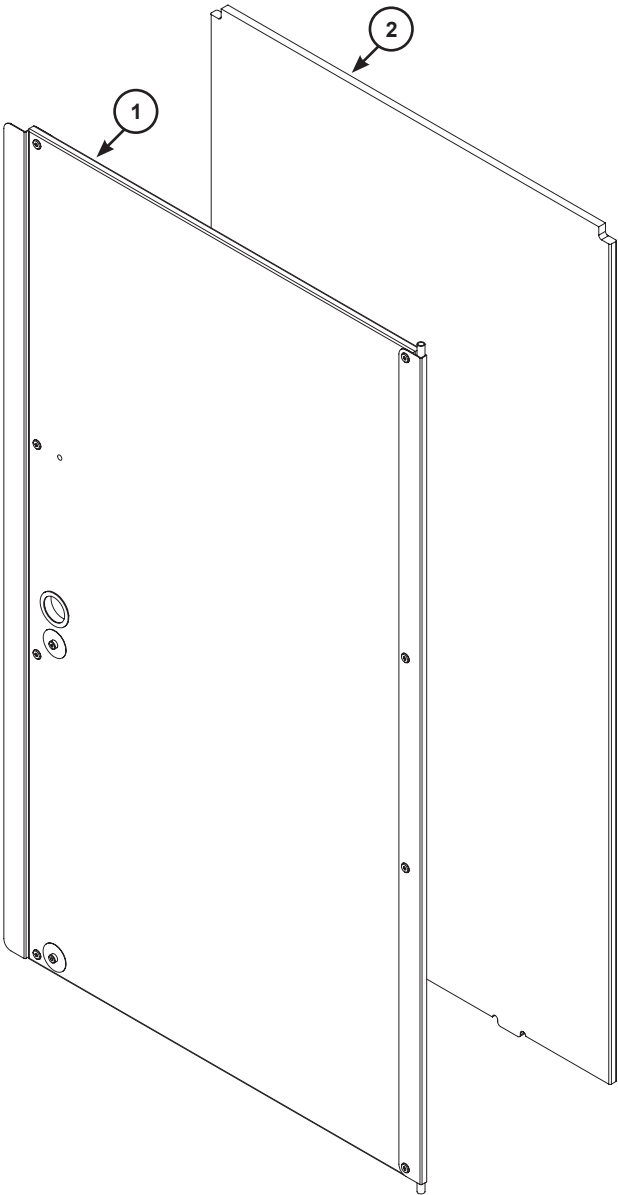
### NOTICE

**Not all hardware items packed in the carton may be needed.  
When the assembly is complete, discard any hardware items not used.**

# Parts List

## Swing Door and Side Closure

Item	Qty	Description
1	1	Swing Door Panel Assembly
2	1	Closure Panel



# Swing Door Installation

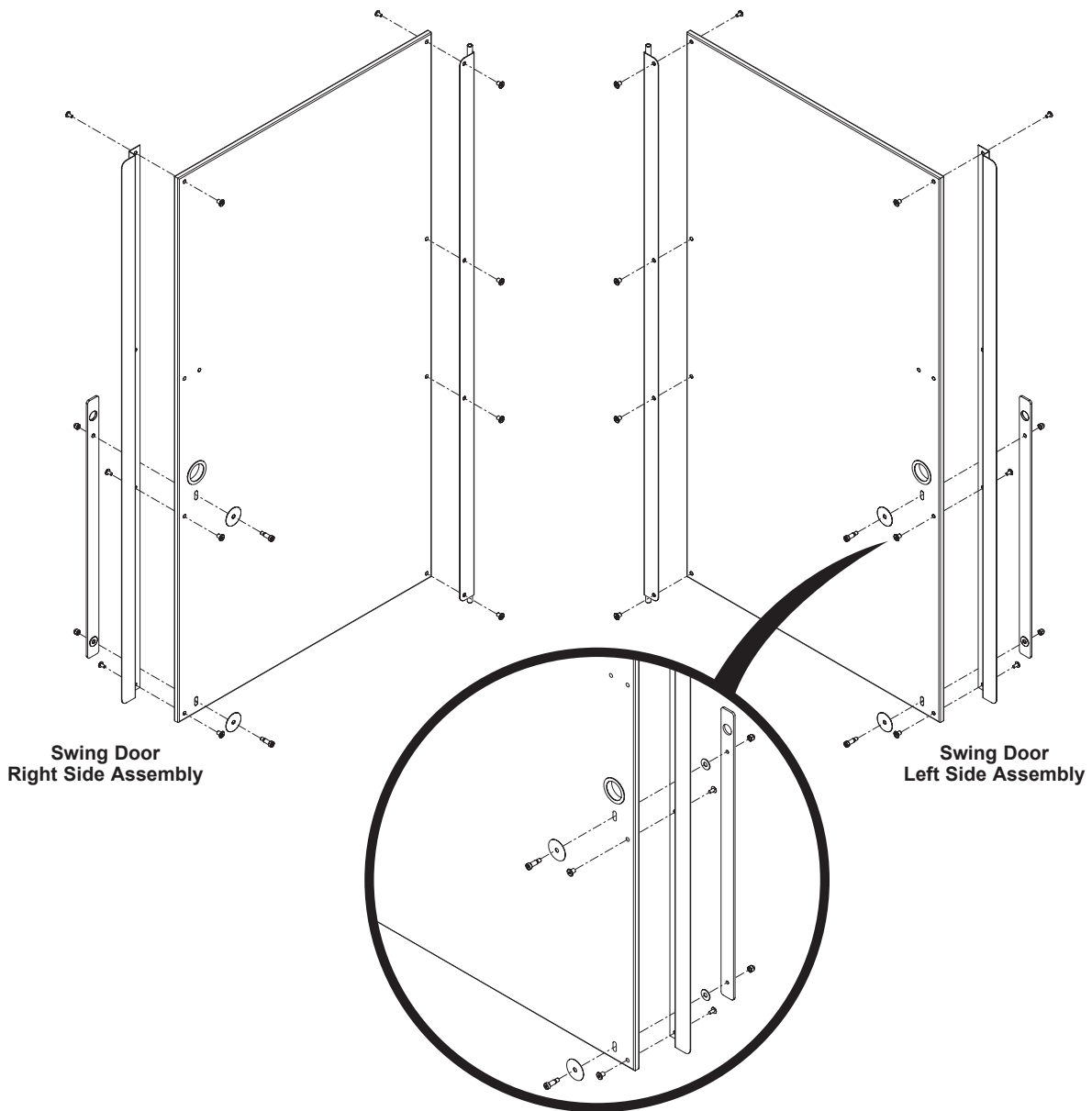
## Before Starting Swing Door Installation

1. Move the swing door accessory carton to the work area (it's best to use a work table).
2. Open the carton and inventory the contents. Make sure that all of the required items listed previously are present including the hardware items.

## Determine Left or Right Side Installation

### NOTICE

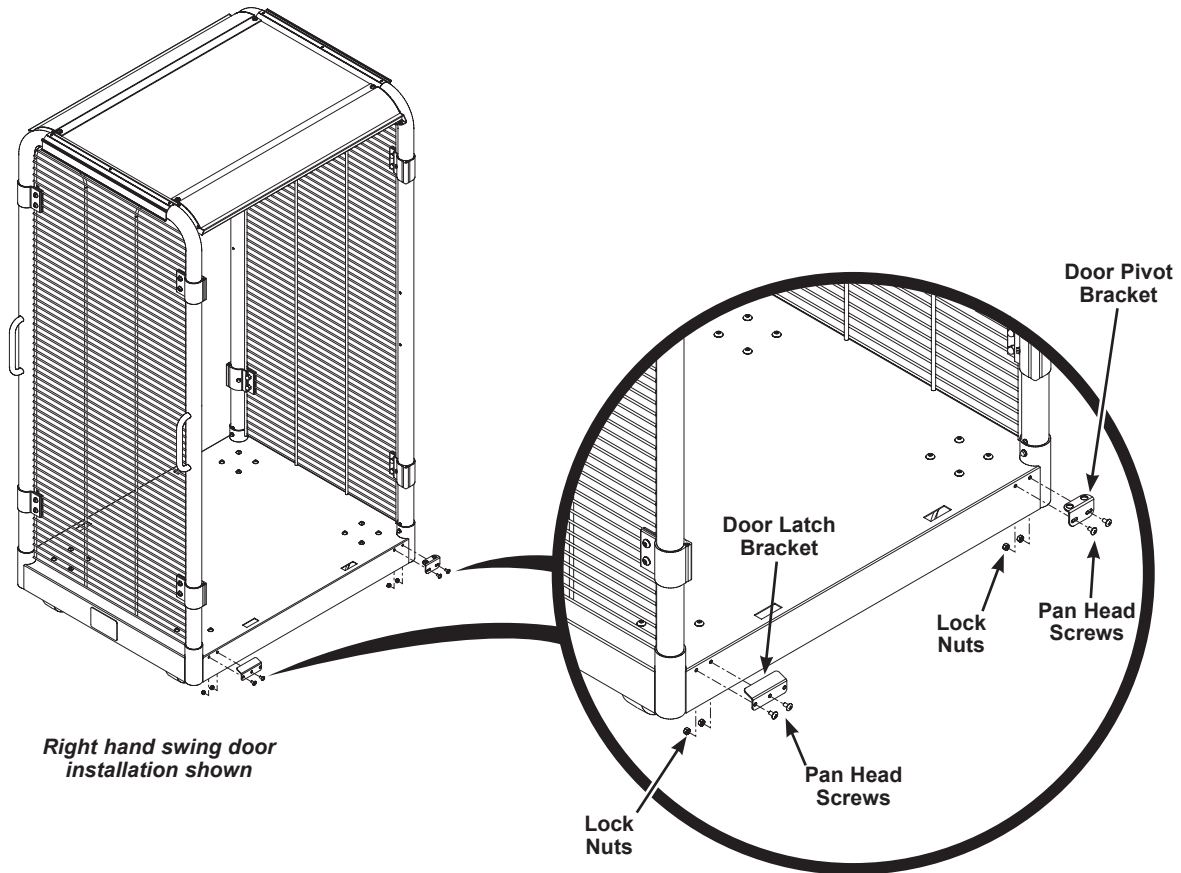
*The swing door is pre-assembled for installation on the right side of the SportCart. For a left side installation, the swing door must be re-assembled as shown below.*



## Swing Door Installation (continued)

### Attach Door Brackets

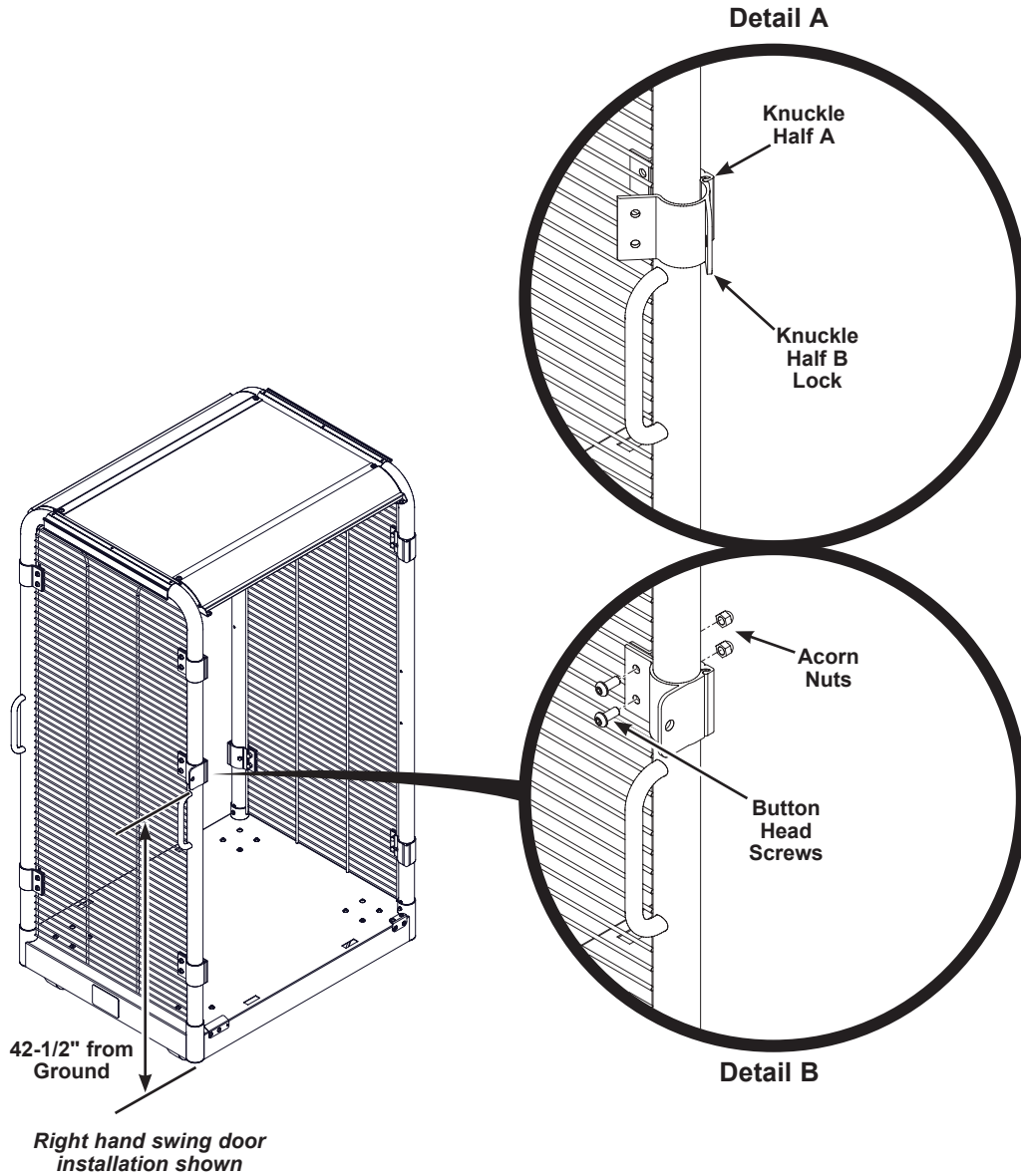
1. Attach the door pivot bracket to the chassis using two 1/4-20 x 1/2" pan head screws and two 1/4-20 lock nuts.
2. Attach the door latch bracket to the chassis using two 1/4-20 x 1/2" pan head screws and two 1/4-20 lock nuts in the holes shown below.



## Swing Door Installation (continued)

### Attach Knuckle Brackets

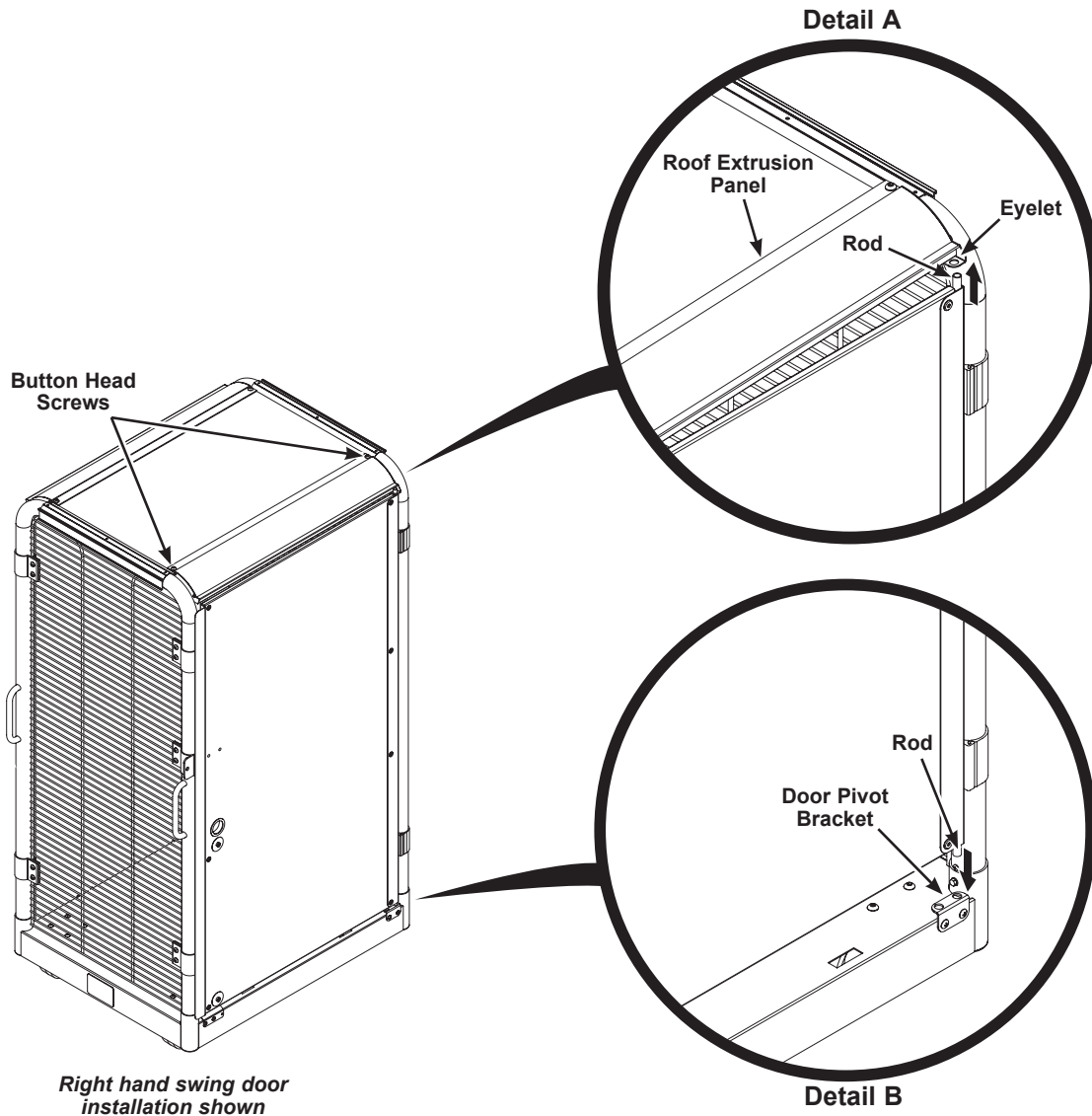
1. Slide both knuckles together and place them over the front end panel 42-1/2" from the floor as shown below in Detail A.
2. Connect the two knuckles together using two 3/8-16 x 7/8" button head screws and two 3/8-16 acorn nuts as shown below in Detail B.



## Swing Door Installation (continued)

### Attach Swing Door

1. On the side of the SportCart that has the door brackets installed, loosen the two button head screws on the roof extrusion panel enough so that it can be raised slightly.
2. Place the rod on the bottom of the swing door into the first hole of the door pivot bracket as shown below in Detail B.
3. Raise the roof extrusion panel and insert the rod on the top of the swing door into the door eyelet as shown below in Detail A.
4. Lower the roof extrusion panel and tighten the two button head screws.
5. Check the swing door for alignment.  
When closed, the top edge of the swing door should be parallel with the roof.  
If necessary, adjust the alignment by loosening the pan head screws on the door pivot bracket and sliding it forward or backward.

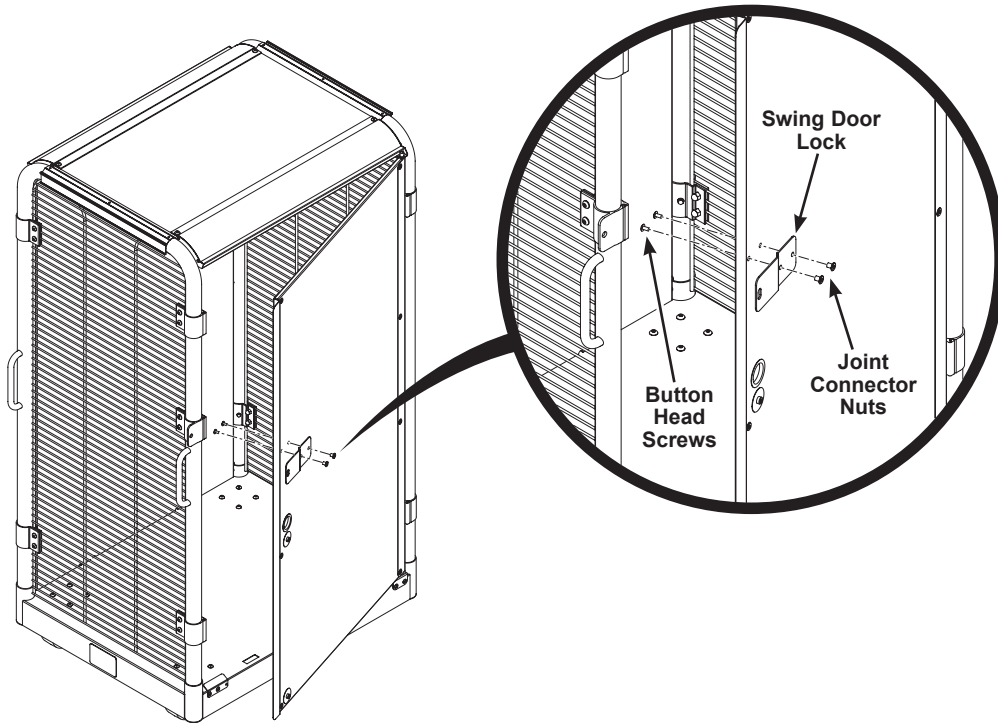


## ***Swing Door Installation (continued)***

---

### ***Attach Swing Door Lock***

1. Attach the swing door lock to the swing door using two 1/4-20 joint connector nuts and two 1/4-20 x 1/2" button head screws as shown below.

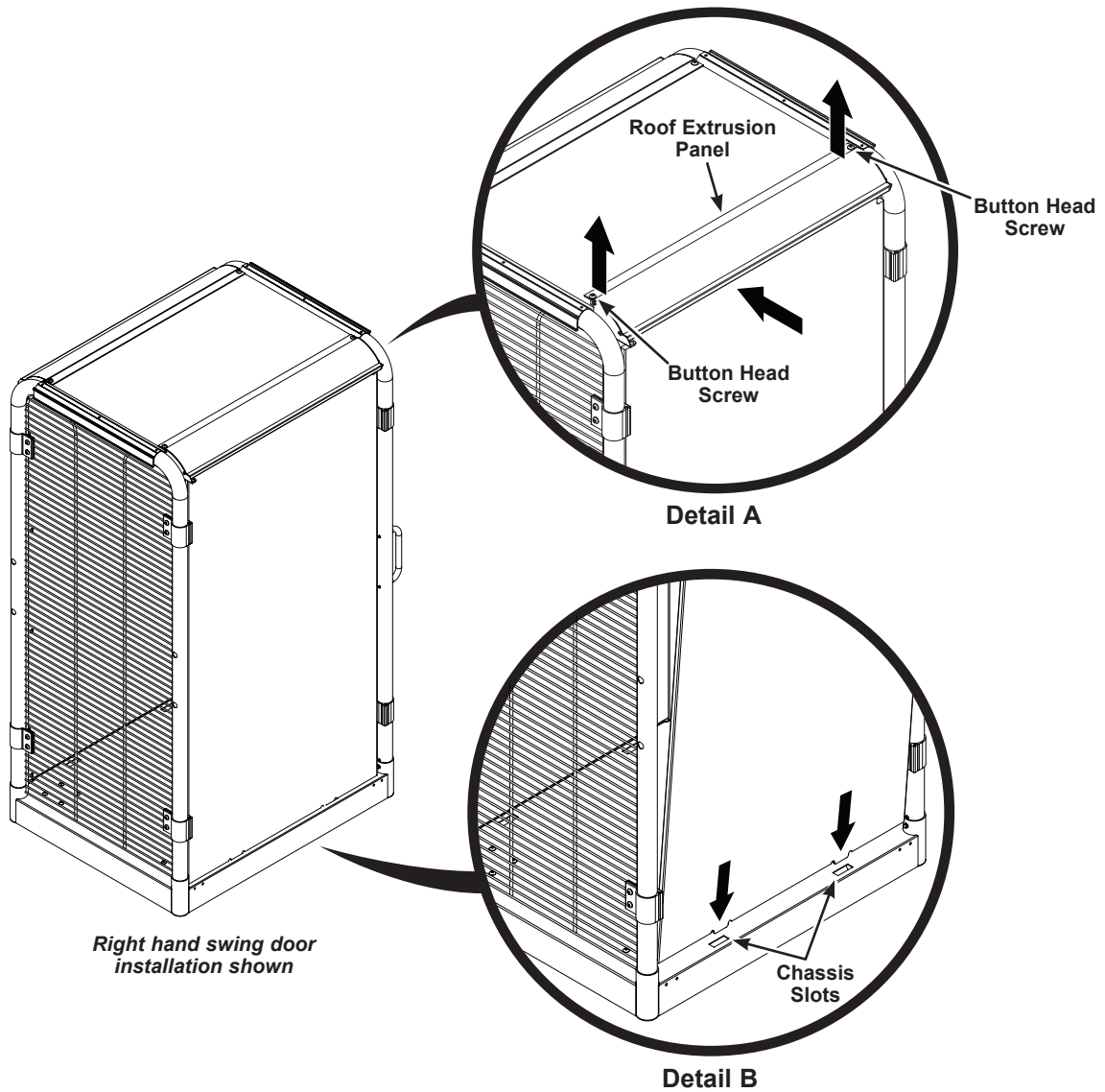


***Right hand swing door  
installation shown***



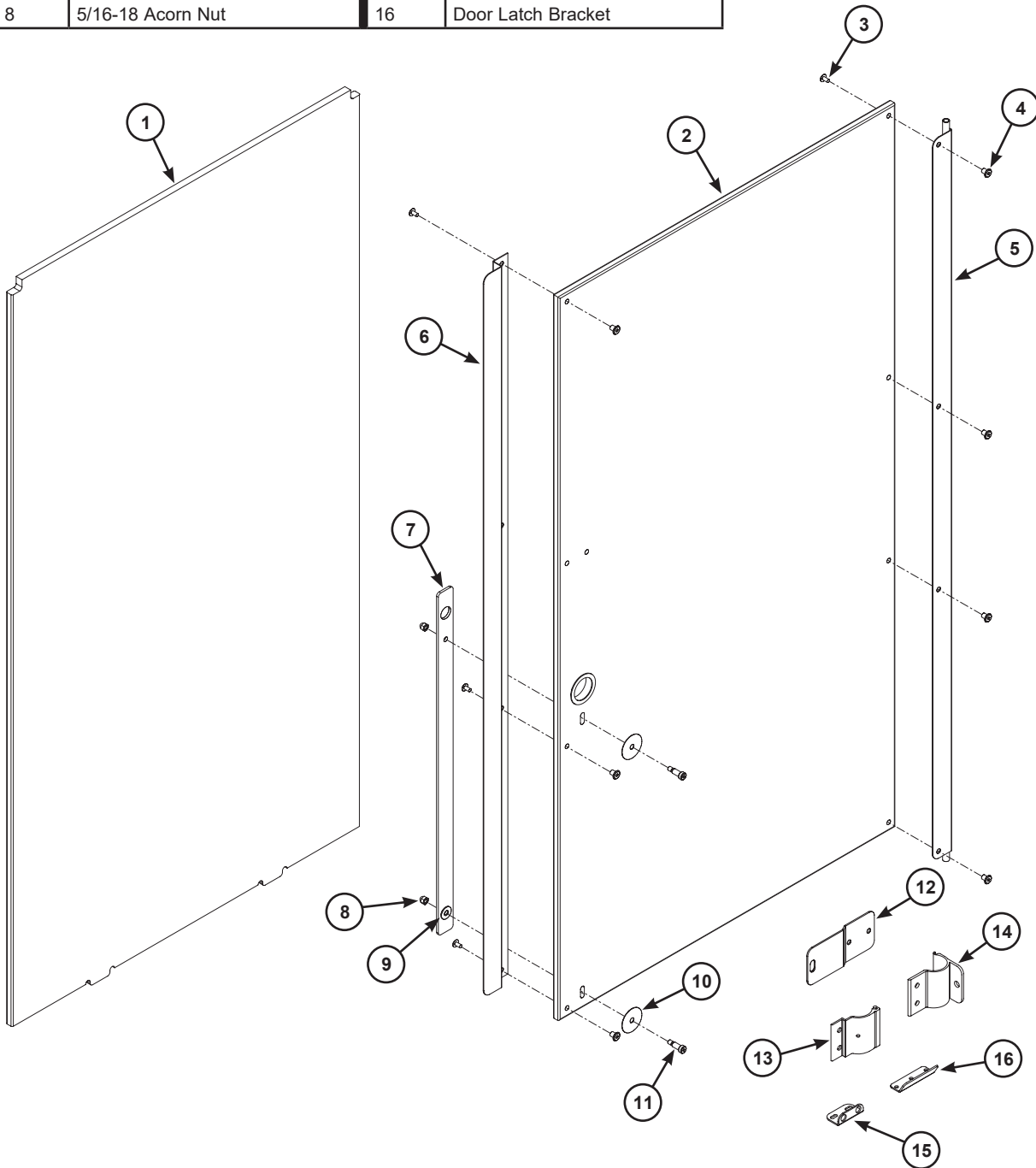
## **Closure Panel Installation (continued)**

1. On the opposite side of the SportCart that has the swing door installed, loosen the two button head screws on the roof extrusion panel enough so that it can be raised slightly.
2. Slide the bottom tabs of the closure panel into the slots in the bottom of the chassis as shown below in Detail B.
3. Raise the roof extrusion panel and insert the top edge of the closure panel under the roof extrusion panel as shown below in Detail A.
4. Lower the roof extrusion panel onto the closure panel (use a mallet if needed) and tighten the two button head screws.



# Replacement Parts List

Item	Description	Item	Description
1	Side Closure Panel	9	Nylon Washer
2	Door Panel	10	Fiber Washer
3	1/4-20 x 1/2 Pan Head Screw	11	5/16-18 x 3/4" Shoulder Bolt
4	Joint Connector Nut	12	Door Lock Bracket
5	Door Pivot Weldment	13	Half A Knuckle
6	Door Stop Bracket	14	Half B Knuckle
7	Door Lock Plate	15	Lower Door Pivot Bracket
8	5/16-18 Acorn Nut	16	Door Latch Bracket



This page is intentionally blank.

This page is intentionally blank.